



NIFTY Recessed Emergency

Installation & Maintenance Instruction Leaflet



Victoria (Head Office & Manufacturing)
Website: www.clevertronics.com.au
Email: info@clevertronics.com.au
Phone: +61 3 9559 2700
Fax: +61 3 9559 2799

New South Wales
Phone: +61 2 8805 6400
Fax: +61 2 8805 6444

Queensland
Phone: +61 7 3442 9700
Fax: +61 7 3442 9777

South Australia/Northern Territory
Phone: +61 8 8301 8800
Fax: +61 8 8351 8286

Western Australia
Phone: +61 8 9207 0000
Fax: +61 8 9207 0088

New Zealand
Phone: +64 800 548 448

Designed in Australia to comply with the requirements of
AS 60598-2.22:2019, AS/NZS 2293.3: 2018 and
AS/NZS CISPR15: 2017

Models: **NIFTY**
 NIFTY-BLK
 240V, 50Hz

Spare Parts:
1560106 Replacement Battery

Important:

It is illegal for anyone, except for a licensed electrician to install or maintain this product. Before installation, ensure that the electricity supply has been switched off and isolated. Installation must be carried out in accordance with the relevant Australian and International Standards.

Installation:

This NIFTY Recessed Non-maintained Emergency can be installed on PLASTER or T-BAR ceilings or used to replace an existing unit.

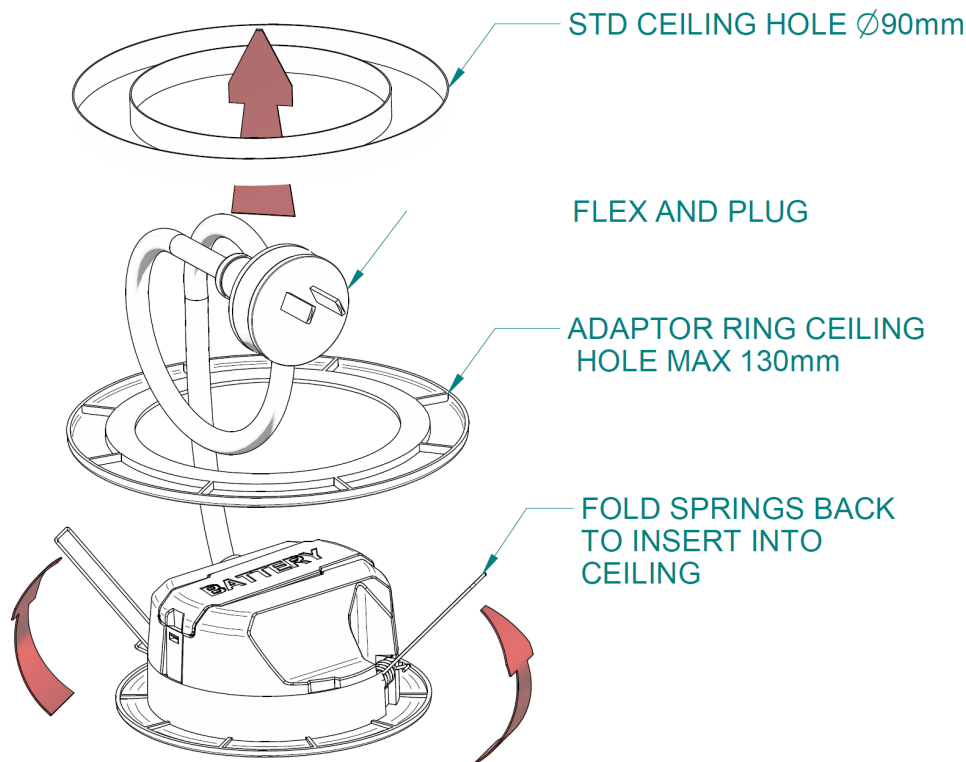
- Refer Images and Dimensions below for the Cut-out Hole and other dimensions.
- Pull and Connect the power cord to the power supply socket.
- Fold back the spring clips and insert product into cut out.
- Please ensure the ceiling is capable of supporting the product weight in compliance with the relevant regulations with respect to mounting above/on the ceiling.

Dimensions:

In ceiling depth: 45mm

Head: 110mm diameter (with adaptor ring 140mm)

Cut-out Hole: Recommended 90mm diameter (up to 130mm with adaptor ring)



Battery Replacement:

1. Prior to any work, isolate the power to the luminaire that requires battery replacement
2. Open the battery cover found on the top side of the product.
3. Remove the Battery Connector from the Emergency PCA.
4. Remove the battery from the battery compartment
5. Replace battery with the same type and part number and connect the battery connector to the Emergency Driver.
6. Secure the battery cover

Testing:

When the NIFTY is connected to the un-switched active, it must be allowed to charge the battery for at least 24 hours. The emergency lamp only illuminates during a power fail. Conduct the following tests:

- The emergency lamp must illuminate for at least 2 hours after disconnection from the mains. The results of all tests are required to be recorded in a service logbook, which is to be kept on-site at all times. If the unit fails to illuminate for the requisite time, remedial action must be taken to repair the situation and once completed, the unit must pass a subsequent test.
- Press and hold Test Button or switch Off Mains Supply, check that the emergency lamp is On.
- Release the Test Button or Switch On Mains Supply, check that the emergency lamp is Off (Non-maintained operation).

Trouble Shooting:

Fault: The Green LED indicator is not illuminated.

Check: A.C. is connected and is turned on.
Battery is connected.
Test Switch for damage.

Fault: Lamp does not illuminate in emergency mode.

Check: A.C. is connected.
Lamp Head is correctly connected.
Battery is connected

Fault: Lamp illuminates in emergency mode, but only stays on for a short period.

Check: Battery has been allowed to charge for at least 24 hours.
Battery for damage.

Fault: Green LED flashes once every 5 seconds-Battery is disconnected

Check: Battery is connected.

Fault: Green LED blinks off once every 5 seconds- Charging very flat battery

Allow 20min to recover battery then recheck

Fault: Green LED flashes at 2Hz (Fast flash)- Faulty battery

Replace battery

Rated Emergency Lumen Output in accordance with AS2293.1(refer to spacing tables for installation positions):

Refer to the Technical Label for classification information.

Caution:

On many building sites, power circuits may be cut off in an uncontrolled and repetitive basis during construction. As a result, any Exit & Emergency Units, on these circuits, will have their batteries discharged or "cycled". The battery in this fitting has been selected to give excellent long-life performance in a controlled AS2293 testing environment. Excessive battery cycling will reduce through-life performance and may lead to premature battery failure. Battery warranty claims, as a result of such abuse, are specifically EXCLUDED from Clevertronics warranty terms.

Warranty:

For Product Warranty information and Terms and Conditions of Sales please refer to our website <http://clevertronics.com.au/terms-conditions-sale-australia-nz/>